

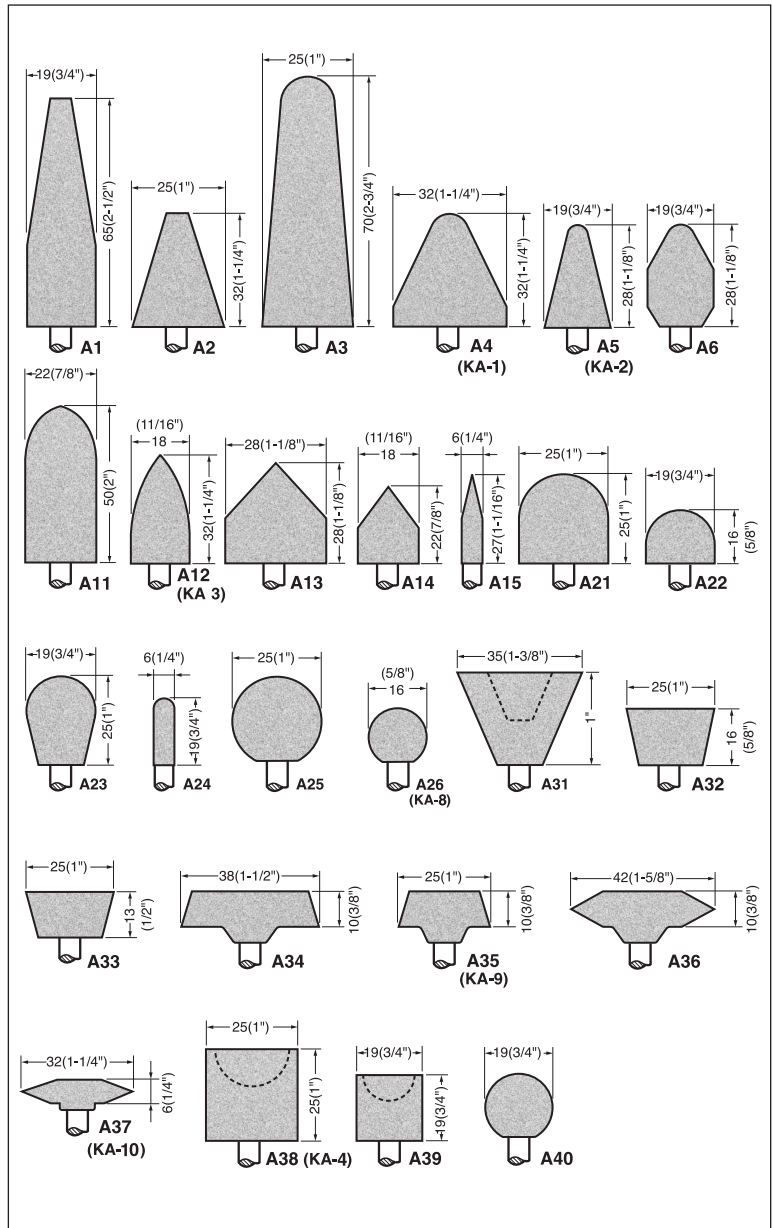
**Shape A** is primarily used for off-hand application in foundries, steel mills, metal working and stone industries, etc., This shape of wheel is usually mounted on mandrel with 6mm in diameter and 30mm in length (or 1/4" in diameter and 1-1/4" in length). Please specify mandrel in 6 mm or 1/4". Tolerance of mandrel diameter is  $\pm 0.05$  mm

■ **Standard Marking (Example)**

<b>A5</b>	<b>19 x 28 x 6</b>	<b>38A</b>	<b>46</b>	<b>P</b>	<b>V</b>
Shape	DxTxL	Abrasive	Grit	Grade	Bond



Shape	Standard Spec.	Products Code	Standard Spec.	Products Code	Max. rpm
A1	PA46-PV	YXP41007-	38A46-PV	YXT41001-	20,960
A2	PA46-PV	YXP42018-	38A46-PV	YXT42016-	32,420
A3	PA46-PV	YXP42011-	38A46-PV	YXT42001-	15,530
A4	PA46-PV	YXP43005-	38A46-PV	YXT43001-	28,550
A5	PA46-PV	YXP41005-	38A46-PV	YXT41002-	38,550
A6	PA46-PV	YXP41001-	38A60-PV		38,550
A11	PA46-PV	YXP42005-	38A46-PV	YXT42003-	25,430
A12	PA60-PV	YXP41003-	38A46-PV	YXT41006-	38,050
A13	PA46-PV		38A60-PV		31,850
A14	PA60-PV	YXP41009-	38A60-PV		43,440
A15	PA80-QV	YXP40002-	38A80-QV	YXT40001-	50,510
A21	PA46-PV	YXP42001-	38A46-PV	YXT42014-	35,510
A22	PA46-PV	YXP41012-	38A60-PV		46,120
A23	PA46-PV	YXP41008-	38A46-PV	YXT41012-	40,300
A24	PA80-QV	YXP40007-	38A80-QV	YXT40002-	56,000
A25	PA46-PV		38A46-PV	YXT20013-	35,510
A26	PA60-PV	YXP41004-	38A60-PV	YXT41016-	48,980
A31	PA46-PV	YXP43002-	38A46-PV	YXT43004-	20,780
A32	PA46-PV		38A60-PV		38,200
A33	PA46-PV	YXP42015-	38A46-PV	YXT42011-	38,200
A34	PA46-PV	YXP43004-	38A46-PV	YXT43007-	25,460
A35	PA46-PV	YXP4214-	38A60-PV		38,200
A36	PA60-PV	YXP44001-	38A60-PV	YXT44002-	23,510
A37	PA60-PV	YXP43001-	38A60-PV	YXT43003-	30,560
A38	PA46-PV	YXP42008-	38A46-PV	YXT42004-	35,510
A39	PA46-PV	YXP41001-	38A46-PV	YXT41015-	44,030
A40	PA46-PV	YXP41010-	38A60-PV		44,030



- Note:**
1. The table of maximum operating speeds (rpm.) is based on overhang or distance between grinder chuck and mounted wheel on the spindle less than 13mm (1/2").
  2. Standard packing: 20pcs/box.
  3. Additional specifications are available on request.

## Vitrified Bond MOUNTED WHEELS – B Shapes

**Shape B** Shape B is primarily used in the tool and die industries for light deburring, cleaning hard-to-get places of moulds or dies, removing tool marks or off-hand grinding.

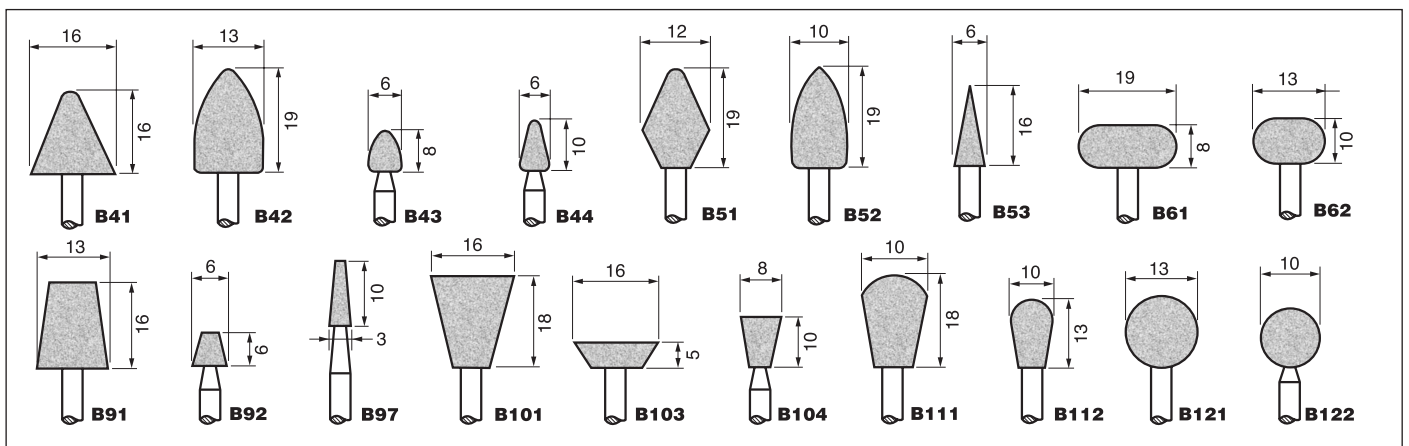
Standard mandrel diameter is  $\varnothing 3\text{mm}$  x 30mm length &  $\varnothing 1/8"$  x 1-1/4" length.

**Note:** 1. The table of maximum operating speeds (rpm.) is based on overhang or distance between grinder chuck and mounted wheel on the spindle less than 13mm (1/2").

2. Additional specifications are available on request.

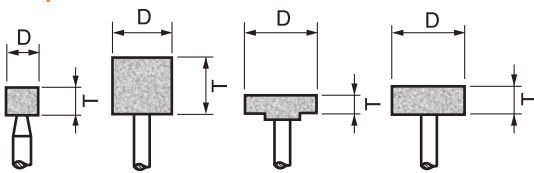
Shape	Standard Spec.	Max. rpm	Product code
B41	PA60-QV	21,900	YXP51010-
B42	PA60-QV	19,600	YXP51016-
B43	PA80-QV	42,500	YXP50021-
B44	PA80-QV	42,500	YXP50001-
B51	PA60-QV	21,200	YXP51006-
B52	PA60-QV	25,500	YXP51002-
B53	PA80-QV	42,500	YXP50008-
B61	PA80-QV	33,500	YXP51022-
B62	PA80-QV	36,700	-

Shape	Standard Spec.	Max. rpm	Product code
B91	PA60-QV	26,900	YXP51007-
B92	PA80-QV	42,500	YXP50020-
B97	PA120-QV	72,000	YXP50010-
B101	PA60-QV	21,900	-
B103	PA60-QV	39,700	YXP51019-
B104	PA80-QV	43,700	YXP50019-
B111	PA60-QV	31,800	YXP51018-
B112	PA80-QV	35,000	-
B121	PA60-QV	27,000	YXP51005-
B122	PA80-QV	35,000	YXP51001-



## Vitrified Bond MOUNTED WHEELS – W Shapes

**Shape W**



**Group B** Shape B is primarily used in the tool and die industries for light deburring, cleaning hard-to-get places of moulds or dies, removing tool marks or off-hand grinding. Standard mandrel diameter is  $\varnothing 3\text{mm}$  x 30mm length &  $\varnothing 1/8"$  x 1-1/4" length.

**Note:** 1. The table of maximum operating speeds (rpm.) is based on overhang or distance between grinder chuck and mounted wheel on the spindle less than 13mm (1/2").

2. Additional specifications are available on request.

Shapes	Standard Sizes			Standard spec.	Max. rpm.	Products Code
	D	T	d'			
W144	1/8" (3)	1/4" (6)		PA120-QV	72,000	YXP60027-
W145	1/8" (3)	3/8" (10)		PA80-QV	72,000	YXP60016-
W153	3/16" (5)	3/8" (10)		PA80-QV	51,000	YXP60009-
W154	3/16" (5)	1/2" (13)		PA80-QV	51,000	YXP60006-
W160	1/4" (6)	1/4" (6)		PA80-QV	58,000	-
W162	1/4" (6)	3/8" (10)	$\varnothing 1/8"$	PA80-QV	58,000	YXP60013-
W163	1/4" (6)	1/2" (13)	(3mm)	PA80-QV	42,400	YXP60011-
W164	1/4" (6)	3/4" (19)		PA80-QV	42,400	YXP60008-
W175	3/8" (10)	3/8" (10)	$\varnothing 3/32"$	PA60-QV	35,000	YXP61021-
W176	3/8" (10)	1/2" (13)	(2.34)	PA60-PV	35,000	YXP61038-
W177	3/8" (10)	3/4" (19)		PA60-PV	25,400	YXP61041-
W178	3/8" (10)	1" (25)		PA60-PV	25,400	YXP61045-
W185	1/2" (13)	1/2" (13)		PA60-QV	26,900	YXP61027-
W186	1/2" (13)	3/4" (19)		PA60-QV	26,900	YXP61033-

Shapes	Standard Sizes			Standard spec.	Max. rpm.	Products Code
	D	T	d'			
W187	1/2" (13)	1" (25)		PA60-QV	19,600	YXP61002-
W195	5/8" (16)	3/4" (19)		38A60-PV	39,800	-
W196	5/8" (16)	1" (25)		38A60-PV	29,800	YXP61023-
W204	3/4" (19)	3/4" (19)		38A46-PV	25,100	YXP61024-
W205	3/4" (19)	1" (25)		38A46-PV	25,100	YXP61002-
W216	1" (25)	1/4" (6)		38A60-PV	25,400	YXP62016-
W217	1" (25)	3/8" (10)	$\varnothing 1/4"$	38A60-PV	25,400	YXP62006-
W220	1" (25)	1" (25)	(6mm)	38A46-QV	19,100	YXP62002-
W225	1-1/4" (32)	1/4" (6)		38A46-QV	19,900	-
W226	1-1/4" (32)	3/8" (10)		38A46-QV	19,900	-
W230	1-1/4" (32)	1-1/4" (32)		38A46-QV	14,900	YXP63002-
W235	1-1/2" (38)	1/4" (6)		38A46-QV	16,800	YXP63001-
W236	1-1/2" (38)	1/2" (13)		38A46-QV	16,800	YXP63010-
W242	2" (50)	1" (25)		38A46-QV	12,700	YXP65004-