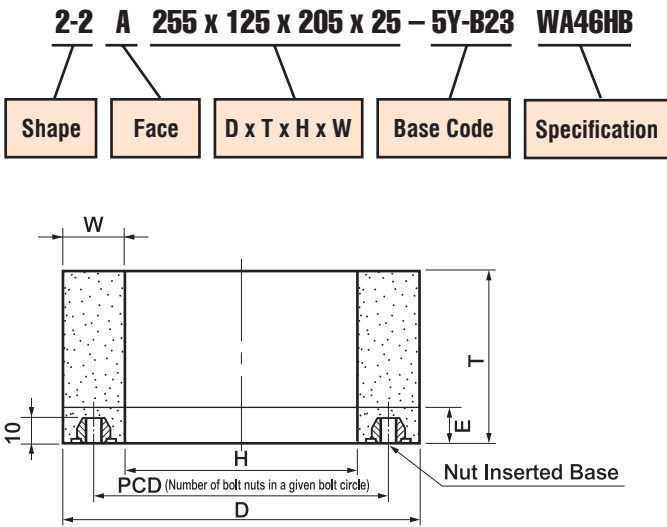


How to Specify the Size & Spec



Recommendations

Applications		Standard Specification	
		Vitrified	Resinoid
Mild Steel	Unhardened	FA30-JV	FA30-KB
	Hardened	93A36-IV	93A36-KB
Alloy Steel	Unhardened	WA46-HV	WA46-JB
	Hardened	93A46-FV	93A46-HB
Tool Steel	Unhardened	PSA46-HV	PSA46-JB
	Hardened	PSA46-FV	PSA46-HB
Stainless Steel	400series	WA30-IV	WA46-IB
	300series	WA46-HV	WA46-HB
Cast Iron	Ordinary	C30-IV	C30-KB
	Special	GC36-HV	GC36-JB

Standard Nut Inserted Base for Type 2-2

D	PCD(B.C.)	E	N	H	M	Base Code	D	PCD(B.C.)	E	N	H	M	Base Code
150	120.00	15	4	90	M10 x 1.5P	5Y-B1	255	230.20	17	6	205	M8 x 1.25P	5Y-B22
170	129.35	16	4	90	M8 x 1.25P	5Y-B30	280	254.00	15	6	216	M10 x 1.5P	5Y-B5
180	130.00	16	4	120	M10 x 1.5P	5Y-B10	305	250.00	16	6	120	M10 x 1.25P	5Y-B31
180	150.00	15	4	150	M10 x 1.5P	5Y-B2	305	266.70	15	6	210	M10 x 1.5P	5Y-B6
200	158.00	18	4	109	M10 x 1.5P	5Y-B39	305	266.70	20	6	229	M10 x 1.5P	5Y-B28
205	175.00	15	6	145	M10 x 1.5P	5Y-B3	305	273.05	15	8	241.3	3/8"-16NC	5Y-B54
205	175.00	18	6	145	M8 x 1.25P	5Y-B44	320	275.00	15	8	225	M10 x 1.5P	5Y-B7
250	177.80	15	6	98	3/8"-16NC	5Y-B56	355	304.80	18	8	150	M10 x 1.5P	5Y-B36
250	228.60	16	8	200	1/4"-20NC	5Y-B57	355	323.85	15	8	275	M10 x 1.5P	5Y-B8
255	225.00	18	6	150	M10 x 1.5P	5Y-B40	360	326.00	37	6	230	M12 x 1.75P	5Y-B24
255	225.00	15	6	193	M10 x 1.5P	5Y-B4	405	330.00	20	8	250	M10 x 1.0P	5Y-B27
255	225.00	20	6	193	M10 x 1.5P	5Y-B33	405	374.65	15	8	290	M10 x 1.5P	5Y-B9
255	228.60	15	6	200.75	M10 x 1.25P	5Y-B29	455	400.00	16	12	355	M10 x 1.5P	5Y-B32
255	228.60	18	6	205	M8 x 1.25P	5Y-B23	458	390.00	18	12	258	3/8"-16NC	5Y-B38

Note: 1. Bolt nut 3/8"-16NC inset of M10 x 1.5P & M10 x 12.5P may be made on request.

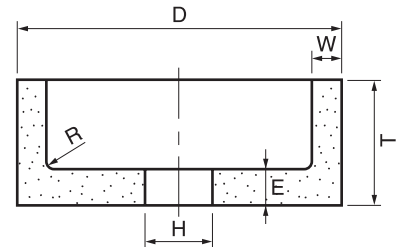
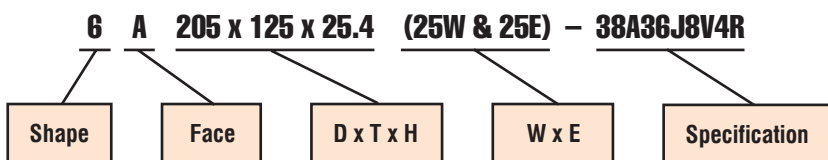
2. The H(Hole) sizes may enlarged upon request.

Standard Specifications & Sizes- Type 2 Cylindrical Wheels

Standard Sizes			Vitrified		Resinoid		Standard Sizes			Vitrified		Resinoid	
D x T x H	W	Specifacaton		Specifacaton			D x T x H	W	Specifacaton		Specifacaton		
150 x 75 x 112mm 6" x 3" x 4-1/2"	19mm 3/4"	WA46-HV 3KG46-HV		WA36-JB			320 x 125 x 275mm 12.6" x 5" x 10.83"	45mm 1-3/4"	WA46-GV 3KG46-GV		WA46-HB		
150 x 100 x 100mm 6" x 4" x 4"	25mm 1"	WA46-HV 3KG46-HV		WA36-JB			355 x 100 x 305mm 14" x 4" x 12"	25mm 1"	WA46-HV 3KG46-HV		WA46-HB		
180 x 75 x 142mm 7" x 3" x 5-3/4"	19mm 3/4"	WA46-HV 3KG46-HV		WA36-JB			355 x 100 x 291mm 14" x 4" x 11-1/2"	32mm 1-1/4"	WA46-HV 3KG46-HV		WA46-HB		
180 x 100 x 130mm 7" x 4" x 5"	25mm 1"	WA46-HV 3KG46-HV		WA36-JB			355 x 125 x 305mm 14" x 5" x 12"	25mm 1"	WA46-HV 3KG46-HV		WA46-HB		
205 x 100 x 155mm 8" x 4" x 6"	25mm 1"	WA46-HV 3KG46-HV		WA36-JB			355 x 125 x 191mm 14" x 5" x 11-1/2"	32mm 1-1/4"	WA46-GV 3KG46-GV		WA46-HB		
205 x 125 x 155mm 8" x 5" x 6"	25mm 1"	WA46-HV 3KG46-HV		WA36-JB			355 x 125 x 279mm 14" x 5" x 11"	38mm 1-1/2"	WA46-FV 3KG46-FV		WA46-HB		
255 x 100 x 205mm 10" x 4" x 8"	25mm 1"	WA46-HV 3KG46-HV		WA46-HB			405 x 125 x 341mm 16" x 5" x 13-1/2"	32mm 1-1/4"	WA36-FV				
255 x 125 x 205mm 10" x 5" x 8"	25mm 1"	WA46-HV 3KG46-HV		WA46-HB			405 x 125 x 329mm 16" x 5" x 13"	38mm 1-1/2"	WA36-FV				
280 x 125 x 230mm 11" x 5" x 9"	25mm 1"	WA30-HV 3KG46-HV					455 x 125 x 379mm 18" x 5" x 15"	38mm 1-1/2"	WA30-G12VPI				
305 x 100 x 255mm 12" x 4" x 10"	25mm 1"	WA46-HV 3KG46-HV		WA46-HB			455 x 125 x 355mm 18" x 5" x 14"	50mm 2"	WA30G-12VPI				
305 x 125 x 241mm 12" x 5" x 9-1/2"	32mm 1-1/4"	WA46-GV 3KG46-GV		WA46-HB			510 x 125 x 434mm 20" x 5" x 17"	38mm 1-3/4"	WA30G-12VPI				
305 x 125 x 229mm 12" x 5" x 9"	38mm 1-1/2"	WA46-FV 3KG46-FV		WA46-HB			510 x 125 x 420mm 20" x 5" x 16-1/2"	45mm 1-1/2"	WA30G-12VPI				
305 x 125 x 215mm 12" x 5" x 8-1/2"	45mm 1-3/4"	WA46-FV 3KG46-FV		WA46-HB			510 x 125 x 410mm 20" x 5" x 16"	50mm 2"	WA30G-12VPI				

Note: Additional Specifications & Sizes are available on request.

How to Specify the Size & Spec



Standard Specifications & Sizes- Type 2 Cylindrical Wheels

Sizes			Spec	Max. rpm	Products Code	Sizes			Spec	Max. rpm	Products Code
D x T x H	W	E				D x T x H	W	E			
150 x 75 x 25.4mm 6" x 3" x 1"	19mm 3/4"	19mm 3/4"	38A36-K8V4R 38A46-K8V4R	3,183 3,820	YWT-61004- YWT-61005-	305 x 100 x 214.32mm 12" x 4" x 8-7/16"	25mm 1"	25mm 1"	WA30-GB C30-JB	2,400 2,400	
150 x 100 x 25.4mm 6" x 4" x 1"	25mm 1"	25mm 1"	38A36-K8V4R	3,183		305 x 125 x 31.75mm 12" x 5" x 1-1/4"	38mm 1-1/2"	38mm 1-1/2"	WA36-JV	1,565	
180 x 80 x 82.55mm 7" x 3-1/8" x 3-1/4"	22mm 7/8"	25mm 1"	C24-KB	4,000		305 x 150 x 38.1mm 12" x 6" x 1-1/2"	38mm 1-1/2"	38mm 1-1/2"	WA36-JV	1,565	
180 x 125 x 25.4mm 7" x 5" x 1"	25mm 1"	25mm 1"	38A36-K8V4R	2,653	YWT-62001-	355 x 100 x 214.32mm 14" x 4" x 8-7/16"	25mm 1"	25mm 1"	WA30-GB	2,100	
205 x 100 x 25.4mm 8" x 4" x 1"	25mm 1"	25mm 1"	38A36-K8V4R	2,329		355 x 125 x 101.6mm 14" x 5" x 4"	32mm 1-1/4"	32mm 1-1/4"	WA36-JV	1,345	
205 x 125 x 25.4mm 8" x 5" x 1"	25mm 1"	25mm 1"	38A36-J8V4R 38A36-K8V4R 38A46-J8V4R	2,329 2,329 2,795	YWT-63004- YWT-63005- YWT-63006-	355 x 150 x 127mm 14" x 6" x 5"	38mm 1-1/2"	38mm 1-1/2"	WA36-JV	1,345	
255 x 100 x 25.4mm 10" x 4" x 1"	25mm 1"	25mm 1"	WA46-J8V	2,247		405 x 100 x 101.6mm 16" x 4" x 4"	38mm 1-1/2"	38mm 1-1/2"	WA36-JV	1,179	
255 x 100 x 38.1mm 10" x 4" x 1-1/2"	32mm 1-1/4"	25mm 1"	WA46-I8V	2,247		405 x 125 x 127mm 16" x 5" x 5"	50mm 2"	50mm 2"	WA36-JV	1,179	
255 x 125 x 25.4mm 10" x 5" x 1"	25mm 1"	25mm 1"	WA46-J8V	2,247		508 x 150 x 393.7mm 20" x 6" x 15-1/2"	36mm 1-3/8"	16mm 5/8"	C30-HV	1,248	